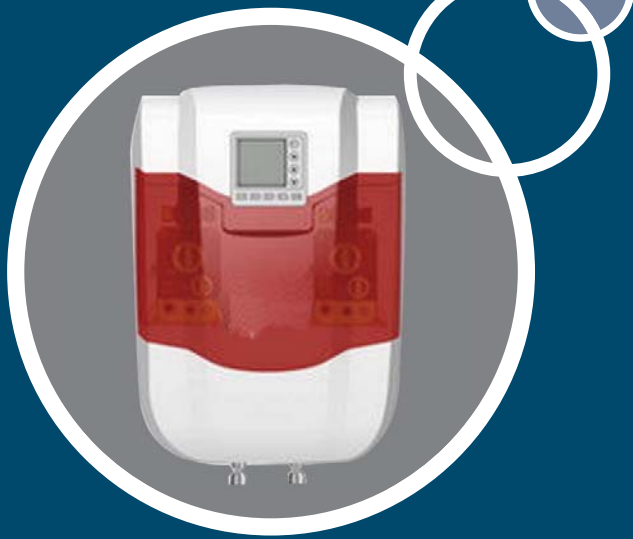


dioxide PACIFIC



OxiMax CPF-100XC (small wall-mounted)

OxiMax
WATER DISINFECTION SOLUTIONS

GENERATOR DESCRIPTION

Experience – Dioxide Pacific has more than 15 years experience in the design, installation and application of chlorine dioxide into water treatment applications.

Overview – The CPF chlorine dioxide generator is an on-site ClO₂ generating system through reaction of acid and chlorite precursor chemicals. The generated chlorine dioxide can be used in water/wastewater disinfection, biofilm control, odour, algae control in paper mills and process water disinfection in food plants.

Structure – The complete generator package includes reactor, dosing pumps, heating system, electrical control system and safety protection interlocks. Chemical storage tanks, residual analyzers, leak detectors and other accessories can be provided by Dioxide Pacific.

Capacity – ClO₂: 30g/h~20000g /h.

Models – CPF-100XC, CPF-500C

FEATURES AND BENEFITS

Multiple security measures:

- ✓ Failure alarm and stop function with dosing pumps
- ✓ Many other security measures to choose from.

Multiple control methods

- ✓ Interlock with water supply pump
- ✓ Flow proportional dosing
- ✓ Residual control
- ✓ Remote start/stop

Special reactor

- ✓ Material - The reactor is made of titanium alloy which is corrosion-resistant and pressure tested for safe and reliable operation.

Broad Applicability

The generator can dose directly into a water pipeline at less than 0.7 MPa or into a dilution water pipeline prior to a solution tank. Multiple point dosing is possible with a level controlled solution tank.

Save Energy

Reduce the consumption of water and power.

Easy to install

CPF-100XC ClO₂ generator can be installed by a mechanical/electrical technician by following the installation instructions provided with the unit. Operation and troubleshooting are easy.

Special design

We can provide a customized generation solution if the standard generator capacities and layout do not exactly meet your requirements.

Safe, Reliable, Easy to Maintain and Operate

COMPONENTS

Main Structure

- ✓ Enclosure and supporting parts
- ✓ Reactor
- ✓ Two dosing pumps
- ✓ Electrical controller
- ✓ Low liquid level alarm for raw materials / Failure alarm and stop for dosing pumps
- ✓ Chemical storage tanks (others)

Technique

The two precursor chemicals NaClO₂ and HCl will be dosed proportionally by two dosing pumps into the reactor, to produce a high-purity ClO₂ solution, which is then dosed into the raw water. The ClO₂ production can be controlled manually by adjusting the stroke of the metering pumps.

MAIN PARAMETERS

Working environment conditions:

Operating voltage: AC 110/220V plus or minus 10%/1.2KW

Working temperature: 5 ~ 40 degrees Celsius

Relative humidity: 80%

Maximum dosing pressure: <0.7Mpa

Functions and signals

Interlock for water supply pump: AC 110/220V

Low liquid level alarm of precursor chemicals/ failure alarm and stop for dosing pumps

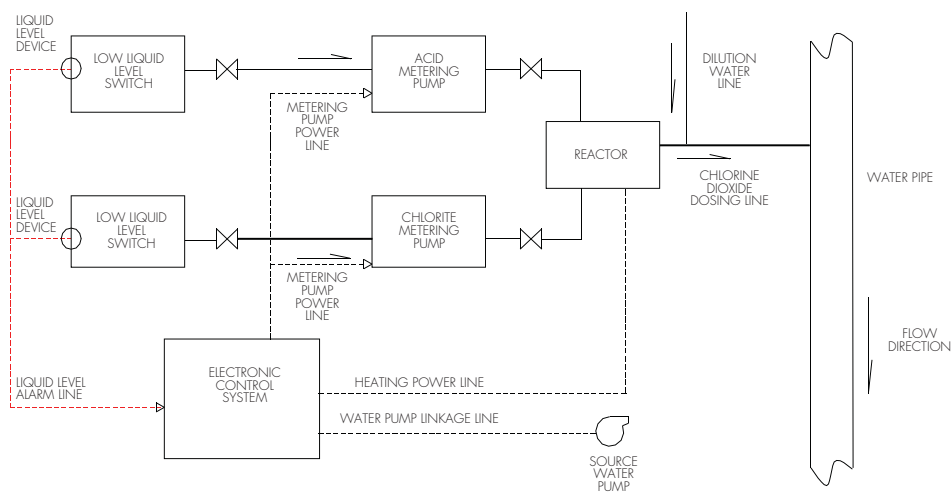
Remote start / stop

Timing start / stop

Packing Dimensions(mm): 780x590x340 , carton

Net Weight: 19kg

Technical Flow Chart for CPF-100XC



dioxide
PACIFIC
www.dioxide.com

OVERVIEW

The CPF-100XC is a wall-mount ClO₂ generating system with output range 0 - 100 g/hr. It can operate in either manual, flow proportional or residual control mode. The generator is simple to install, operate and maintain and is safe to operate in a factory environment.



CPF-100XC

Generation Reaction



Precursor Chemicals

7.5% w/w sodium chlorite

9% w/w hydrochloric acid

United States
P: 702-938-6418
F: 702-938-4118

Sydney
P: 02 9999 4594
F: 02 9999 4534

Perth (WA)
P: 08 9337 5415
Fax: 02 9999 4534

Melbourne (VIC)
P: 03 9005 1681
Fax: 02 9999 4534

2654 W. Horizon Ridge Pkwy,
Suite B5-204 Henderson NV 89052

PO Box 791 Narrabeen
NSW 2101 Australia

E: saleswa@dioxide.com E: salesvic@dioxide.com

E: salesus@dioxide.com

E: sales@dioxide.com